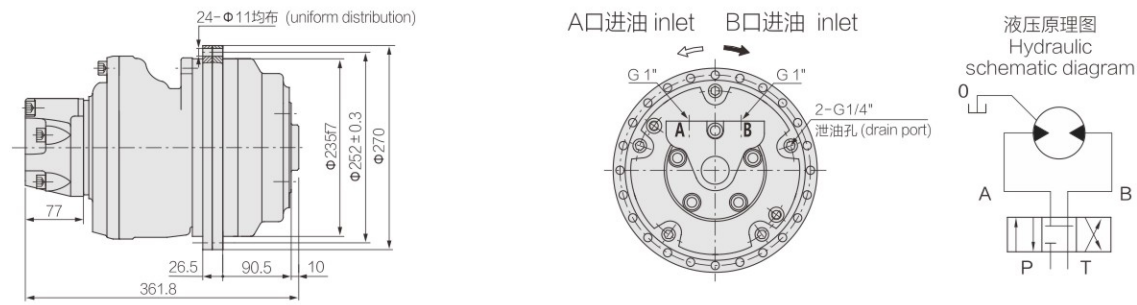
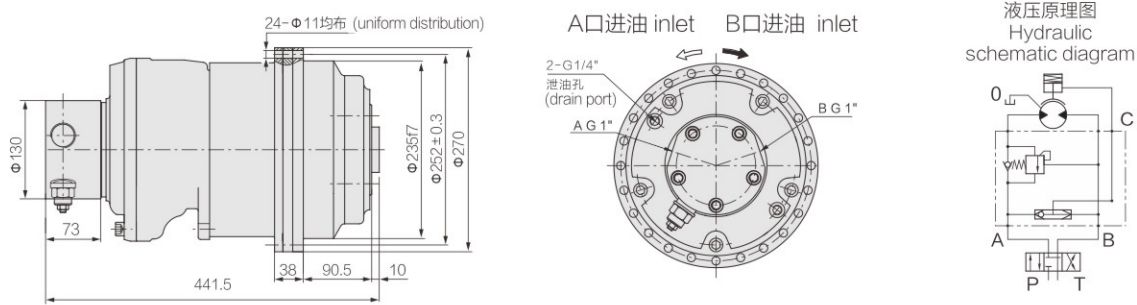


HNG3 外形尺寸图

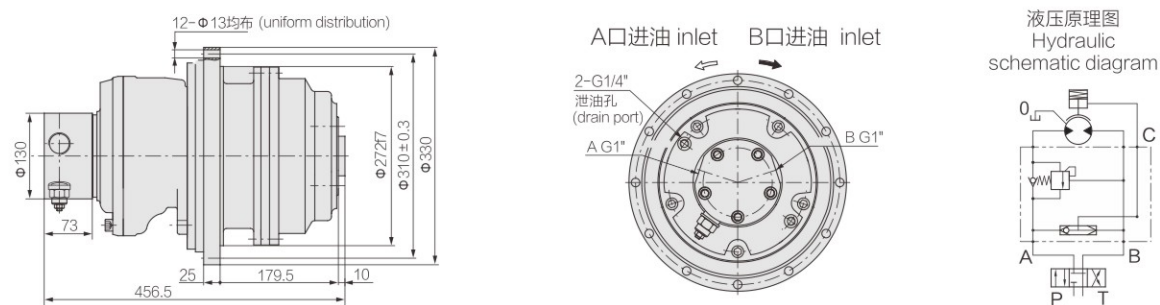
无制动器 Without brake



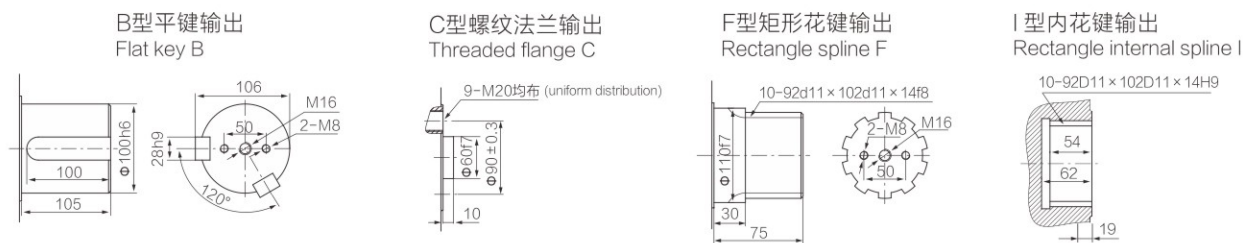
带制动器(外置式) With brake and external installtion



带制动器(内置式) With brake and internal installtion



输出轴形式 Shaft dimensions

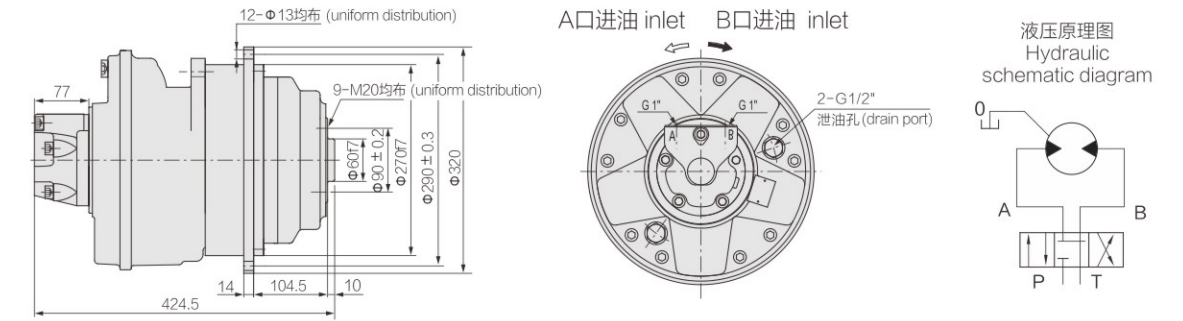


型号 Model	总排量 Displacement (ml/r)	额定扭矩 Rated Torque (N.m) 20MPa	转速范围 Speed range (r/min)	总效率 Total efficiency	液压马达型号 Hydraulic motor model	行星减速机型号 Planetary gearbox	制动器型号 Brake
HNG3-1250	1215	3382	0-90	0.88-0.9	HGM1-250	C3-5	Z3
HNG3-1450	1450	4022	0-90	0.88-0.9	HGM1-300	C3-5	Z3
HNG3-1600	1570	4361	0-90	0.88-0.9	HGM1-320	C3-5	Z3

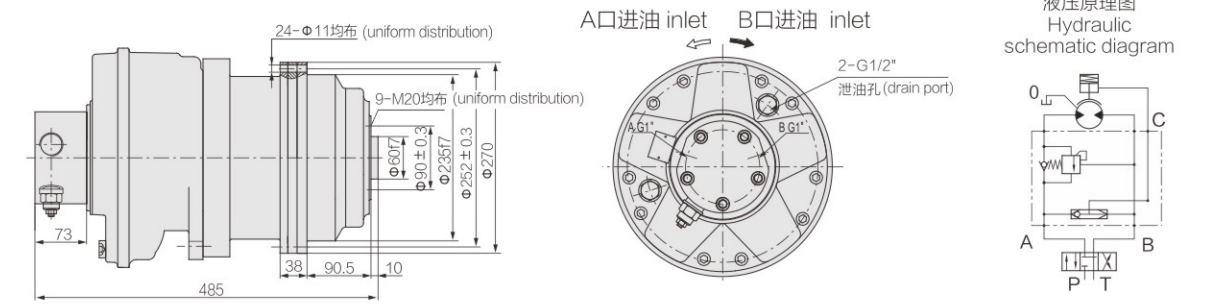
注: 如客户需要其它速比和其它输出形式, 请与本公司联系。
Note: If the customer need other speed ratio and other output form, please contact with us.

HNG3 外形尺寸图

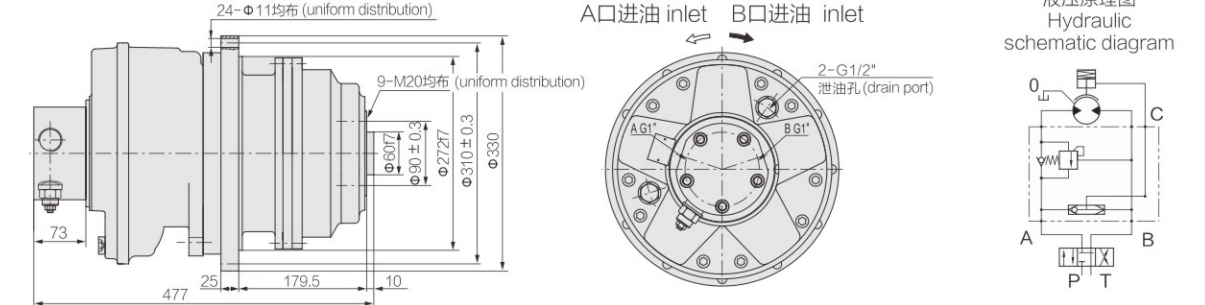
无制动器 Without brake



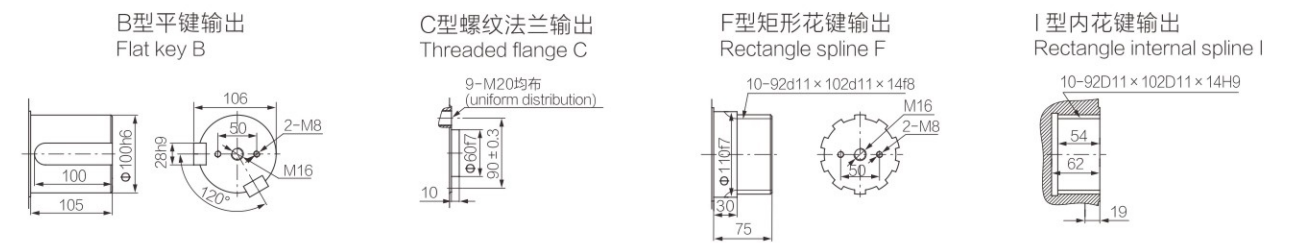
带制动器(外置式) With brake and external installtion



带制动器(内置式) With brake and internal installtion



输出轴形式 Shaft dimensions



型号 Model	总排量 Displacement (ml/r)	额定扭矩 Rated Torque (N.m) 20MPa	转速范围 Speed range (r/min)	总效率 Total efficiency	液压马达型号 Hydraulic motor model	行星减速机型号 Planetary gearbox	制动器型号 Brake
HNG3-1700	1735	4823	0-90	0.88-0.9	HGM2-350	C3-5	Z3
HNG3-1900	1908	5306	0-80	0.88-0.9	HGM2-350	C3-5.5	Z3
HNG3-2300	2338	6492	0-75	0.88-0.9	HGM2-420	C3-5.5	Z3

注: 如客户需要其它速比和其它输出形式, 请与本公司联系。
Note: If the customer need other speed ratio and other output form, please contact with us.